

Preliminary

US

# MHL 450



241 hp



76,500 - 84,660 lbs  
(without attachments)



max. 52'6"



**FUCHS**<sup>®</sup>

A TEREX BRAND



**MHL450**

**FUCHS**  
A TEREX BRAND





## **DESIGNED FOR TRAILER PULLING**

The MHL450 is specially designed for trailer pulling, has all-wheel drive, huge towing capacity and is used for a wide range of applications in timber handling.

Logs are loaded, unloaded and transported with a trailer over the entire area.

The MHL450 is equipped with a powerful 241 hp diesel engine and a robust undercarriage with single tires and dual-circuit braking system.



## TECHNICAL DATA

### OPERATING WEIGHT WITHOUT ATTACHMENT

|        |                     |
|--------|---------------------|
| MHL450 | 76,500 - 84,660 lbs |
|--------|---------------------|

### Diesel engine

| Manufacturer and type            | EU Stage V / U.S. Tier 4  | EU Stage IIIA / U.S. Tier 3 <sup>*)</sup>   |
|----------------------------------|---|---|
|                                  |   | Deutz TCD 6.1 L6  |
| <b>Design</b>                    | 6-cylinder in-line  | 6-cylinder in-line engine   |
| <b>Functionality</b>             | 4-stroke engine, direct common-rail fuel injection, turbocharger with charge air intercooling, controlled exhaust gas recirculation, diesel particle filter with a continuously regenerating system and SCR catalytic converter | 4-stroke engine, direct common-rail fuel injection, turbocharger with charge air intercooling |
| <b>Engine power</b>              | 241 hp  | 244 hp  |
| <b>Nominal speed</b>             | 2000 min <sup>-1</sup>  | 2000 min <sup>-1</sup>  |
| <b>Displacement</b>              | 372 cui   | 439 cui   |
| <b>Cooling system</b>            | Water and charge air cooling with temperature controlled fan speed  |   |
| <b>Exhaust emission standard</b> | EU Stage V / US Tier 4  | EU Stage IIIA / U.S. Tier 3 <sup>*)</sup>   |
| <b>Fuel tank</b>                 | 83 gal Diesel   | 83 gal Diesel   |
| <b>Urea tank</b>                 | 8.5 gal AdBlue  | -   |

### Electrical system

|                          |   |
|--------------------------|---|
| <b>Alternator</b>        | 28 V / 100 A  |
| <b>Operating voltage</b> | 24 V  |
| <b>Battery</b>           | 2 × 12 V / 110 Ah / 750 A (in accordance with EN)   |
| <b>Lighting</b>          | 2 x LED floodlights at the front of the machine, rear parking lights and indicator lights |

### Travel Drive

Travel drive all wheel, hydrostatic drive with infinitely variable axial piston motor and directly mounted travel brake valves, 2-stage power shift system

|                       |          |
|-----------------------|----------|
| <b>Travel speed</b>   | 0-12 mph |
| <b>Turning radius</b> | 31'2"    |

### SLEWING GEAR

|                                  |  |
|----------------------------------|--|
| <b>Slewing ring</b>              | Internally geared double row slewing ring bearing, greasing via automatic lubrication system |
| <b>Drive</b>                     | 2-stage planetary gear with integrated multi-disc brake                                      |
| <b>Uppercarriage swing speed</b> | 0 – 7 min <sup>-1</sup> infinitely variable  |
| <b>Slewing lock</b>              | Electrically activated   |

\* for markets with little regulation

## TECHNICAL DATA

| <b>Undercarriage</b>                              |  |  |
|---|--|--|
| <b>Front axle</b>                                 | Steering axle with planetary drive, integrated wet multidisc brake and oscillating lock  |  |
| <b>Rear axle</b>                                  | Planetary drive axle with integrated wet multi-disc brake, rigidly mounted   |  |
| <b>Stabilization</b>                              | with 4-point stabilizers   |  |
| <b>Tires</b>                                      | Pneumatic tires Hauler 16.00-25/32 PR, 4-fold. Further tires available on request.   |  |
| <b>Brakes</b>                                     |  |  |
| <b>Service brake</b>                              | Hydraulically activated dual-circuit brake system acting on all four wheel pairs, lockable   |  |
| <b>Parking brake</b>                              | Electro-hydraulically actuated brake, works on both axles  |  |
| <b>Hydraulic system</b>                           |  |  |
| Load limit control for energy-efficient operation |  |  |
| <b>Max. pump flow</b>                             | 2 × 87 gpm   |  |
| <b>Max. pressure</b>                              | 4641 / 5221 psi  |  |
| <b>Hydraulic oil tank</b>                         | 96.7 gal   |  |
| Temperature-dependent fan drive                   |  |  |
| <b>Operator's cab</b>                             |  |  |
| <b>Cab</b>  | Infinitely variable hydraulic height-adjustable cabin with sliding door. Reinforced steel structure, soundproofed, heat-insulated panoramic windows for best all-round visibility, front window with roller blind, glass panel in the cabin roof with sliding blind. Heating and air conditioning, separate heat exchangers, fresh and recirculated air filters. Multifunction touch display, bottle holder, paper clip and multiple storage and mounting options. Digital radio (DAB+, USB, Bluetooth and hands-free), USB charging station 5V. Vertically adjustable cabin: viewing height of 19'7". |  |
| <b>Air-conditioning</b>                           | Automatic air-conditioning. Infinitely variable heating with 8-speed fan, 10 adjustable air nozzles, 3 defroster nozzles.  |  |
| <b>Operator's seat</b>                            | Air-cushioned comfort seat with swinging armrests / joysticks, safety belt, lumbar support and headrest. Enables fatigue-free work due to universal adjustment options for the seat position, seat inclination and the arrangement of the seat cushion in relation to the armrests and joysticks.  |  |
| <b>Monitoring</b>                                 | Ergonomically arranged, glare-free Multifunction display. Automatic monitoring and storage of deviating operating states (e.g. all hydraulic oil filters, hydraulic oil temperature – coolant and charge air temperature – diesel particulate filter loading, steering), visual and audible warning. Diagnostic option for the individual sensors via the multifunction display. Rear view and side view camera on the right with separate monitor.  |  |
| <b>Sound levels</b>                               | <b>EU Stage V</b>  | <b>U.S. Tier 4</b>   |
|   | Sound power level (outdoor area)<br>$L_{WA}$ 98.8 dB(A) (measured) as per directive 2000/14/ EC<br>$L_{WA}$ 101 dB(A) (guaranteed) as per directive 2000/14/ EC<br>Sound pressure level (inside the cab) as per the standard ISO 6396<br>$L_{pA}$ 67 dB(A)   | Sound power level (outdoor area)<br>$L_{WA}$ 101.3 dB(A) (measured) as per directive 2000/14/EC<br>$L_{WA}$ 102 dB(A) (guaranteed) as per directive 2000/14/ EC<br>Sound pressure level (inside the cab) as per the standard ISO 6396<br>$L_{pA}$ 67 dB(A) |
| <b>Vibration</b>                                  | Weighted r.m.s. value of acceleration of upper limbs under 2.5 m/s <sup>2</sup> (98 in/s <sup>2</sup> )<br>Weighted effective value of acceleration for the seat and feet under 0.5 m/s <sup>2</sup> (20 in/s <sup>2</sup> )   |  |
| <b>Certification according to CE Directives</b>   |  |  |

## EQUIPMENT

| <b>Diesel engine</b>   | <b>Standard</b> | <b>Option</b> |
|--|-----------------|---------------|
| Water and charge air cooler  | •               |               |
| Temperature-dependent fan drive  | •               |               |
| Reversible fan   |                 | •             |
| Direct electronic fuel injection / common rail                             | •               |               |
| DEF injection, passive regeneration  | •               |               |
| Advanced automatic idle incl. engine shut-off function                     | •               |               |
| ECO and POWER mode   | •               |               |
| Engine preheating  |                 | •             |
| Engine diagnostics interface   | •               |               |
| <b>Undercarriage</b>   |                 |               |
| All-wheel drive  | •               |               |
| Wet multi-disc brake for all 4 wheels                                      | •               |               |
| Front axle oscillating lock  | •               |               |
| 2-speed powershift transmission  | •               |               |
| 4-point stabilizers  | •               |               |
| Stabilizer cylinder with integrated, double-sided shut-off valve           | •               |               |
| Tool box   | •               |               |
| Special paint (customer paint work)  |                 | •             |
| <b>Uppercarriage</b>   |                 |               |
| Separated cooling system for hydraulic, engine and air-conditioning system | •               |               |
| Temperature-dependent fan drive  | •               |               |
| Reversible fan   |                 | •             |
| Automatic central lubrication system                                       | •               |               |
| Rear view camera   | •               |               |
| Side view camera   | •               |               |
| Travel alarm   |                 | •             |
| Electric refuelling pump   |                 | •             |
| Lighting protection  |                 | •             |
| Special paint (customer paint work)  |                 | •             |

## EQUIPMENT

| Cab   | Standard | Option |
|---|----------|--------|
| Vertically adjustable cabin   | •        |        |
| Safety glass, tinted windows (side, rear), sliding window clear glass                                     | •        |        |
| Cabin with all clear glass windows  |          | •      |
| Cabin with penetration resistant glass front (classification P5A)   |          | •      |
| Cabin with bullet-proof glass (classification P8B)  |          | •      |
| Sliding window in cab door  | •        |        |
| Glass ceiling   | •        |        |
| Windshield washer system  | •        |        |
| Washing device for roof window  |          | •      |
| Air-cushioned operator seat with headrest, seatbelt, and lumbar support, consoles that move with the seat | •        |        |
| Seat heating  |          | •      |
| Joystick steering   | •        |        |
| Steering column, height and tilt adjustable   |          | •      |
| Automatic air conditioning system   | •        |        |
| Auxiliary heating incl. Timer   |          | •      |
| Multi-function display  | •        |        |
| Document net  | •        |        |
| FOPS Guard  |          | •      |
| Voltage converter 12 V  |          | •      |
| Digital Radio (DAB+, USB, Bluetooth and handsfree system)   | •        |        |
| 12V socket/cigarette lighter  |          | •      |
| Catwalk for cabin, access ladder included   |          | •      |
| Fire extinguisher, dry powder with holder   |          | •      |
| <b>Other equipment</b>  |          |        |
| Close proximity range limiter for dipperstick   | •        |        |
| Coolant and hydraulic oil level monitoring system   | •        |        |
| Filter system for attachments   |          | •      |
| Hose rupture valve for boom cylinder  |          | •      |
| Hose rupture valve for stick cylinder   |          | •      |
| Overload and working area control   |          | •      |
| Quick coupling on dipperstick   | •        |        |
| Stick protection  |          | •      |
| Active cyclone prefilter (TOP AIR)  |          | •      |
| Boom cylinder damping system (piston accumulator)   |          | •      |
| Hydraulic oil preheating  |          | •      |
| Lubrication of the grab suspension by central lubrication system  | •        |        |
| Float switch  |          | •      |
| Light packages LED  |          | •      |
| LED head lights at the front of the machine   | •        |        |
| Trailer hitch   |          | •      |
| Fuchs Telematics System, incl. 5 years contract   | •        |        |

## LOADING EQUIPMENT

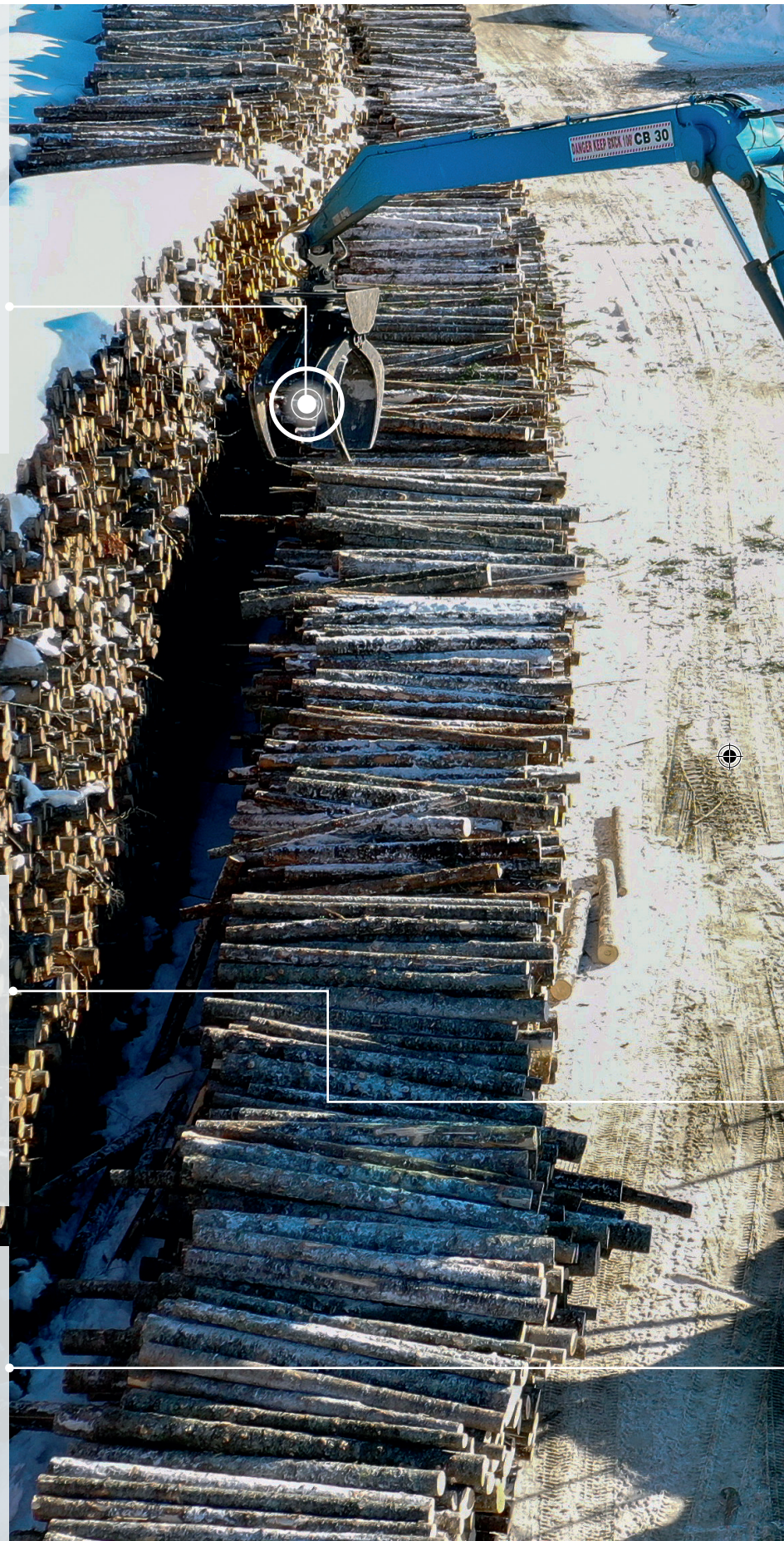
- Reach up to 52'6"
- Purpose built loading equipment
- Kinematics designed for maximum stockpiling height
- Stockpiles in 2nd row can also be reached
- Grab rotation speed and pressure regulation
- Optimally arranged hydraulic pipes and hoses

## UPPERCARRIAGE

- Separated cooling system for engine, hydraulic oil cooler and AC condenser
- Temperature-controlled fan drives, highly energy-efficient
- Cover plates, robust steel design
- Rear and side view camera

## UNDERCARRIAGE

- FEM-based, robust, torsion-resistant steel construction,
- Symmetrical arrangement of the axles
- Protection guard for drivetrain
- Different trailer hitches on demand







### CABIN

- Hydraulically adjustable cab
- 19'7" eye level for perfect overview
- Large skylight
- Sliding window in cab door
- Tinted safety glass
- Automatic air conditioning system
- Speedometer standard





**MHL450**

**FUCHS**  
A TEREX BRAND





MHL450

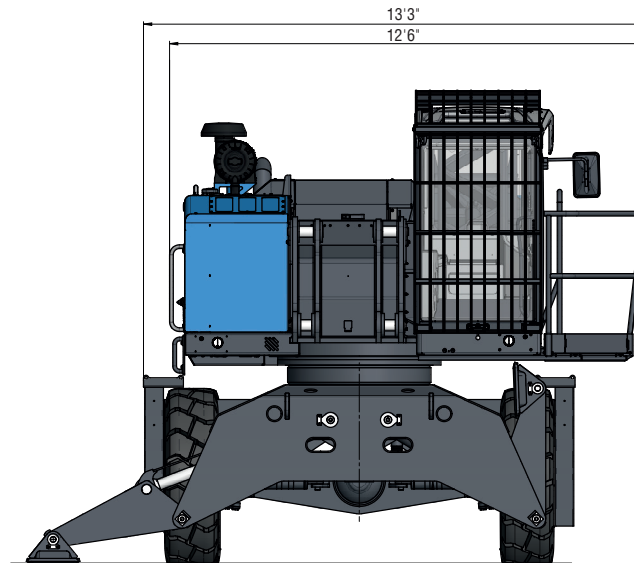
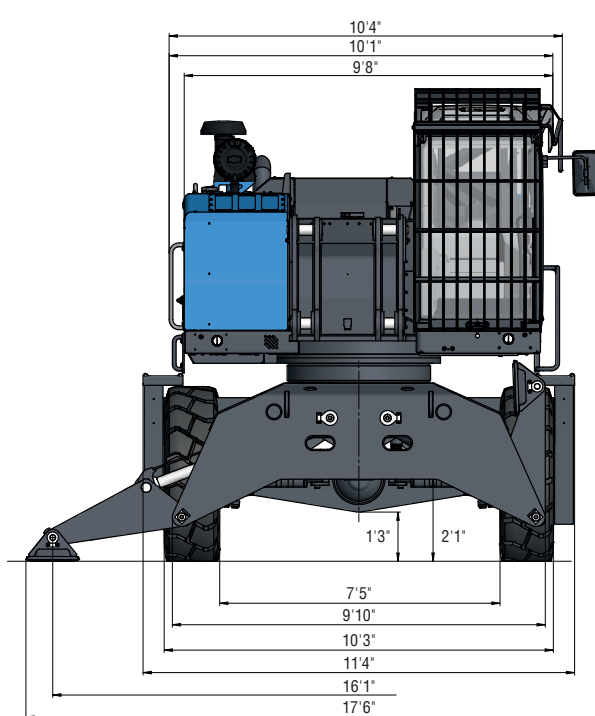
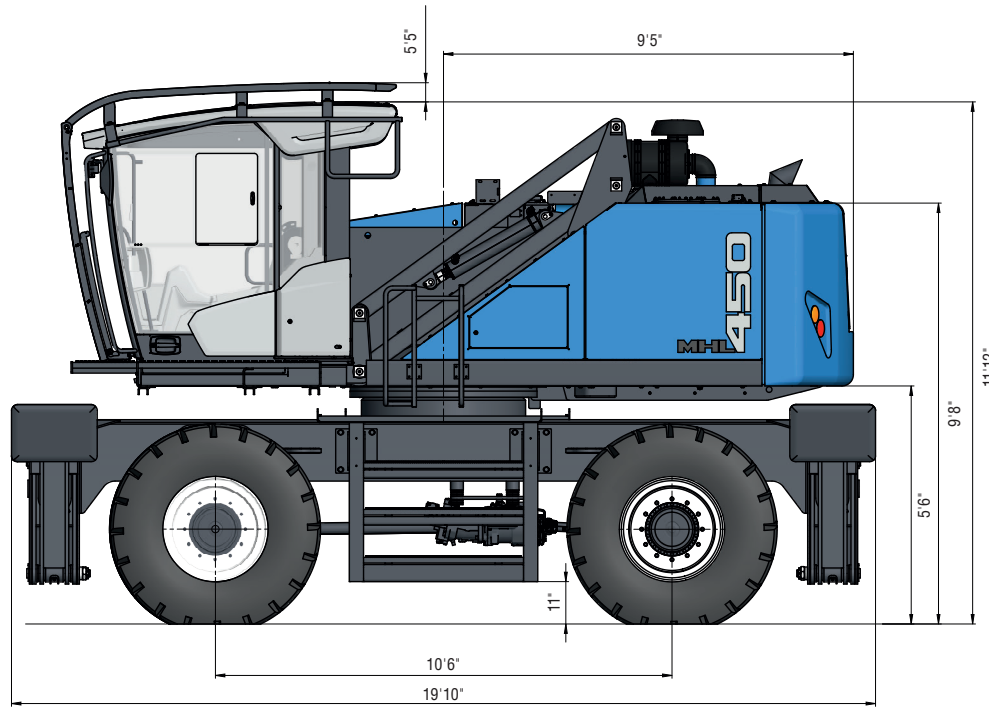


# DIMENSIONS

## 4-point stabilizers

### Side view

all dimensions in ft & in



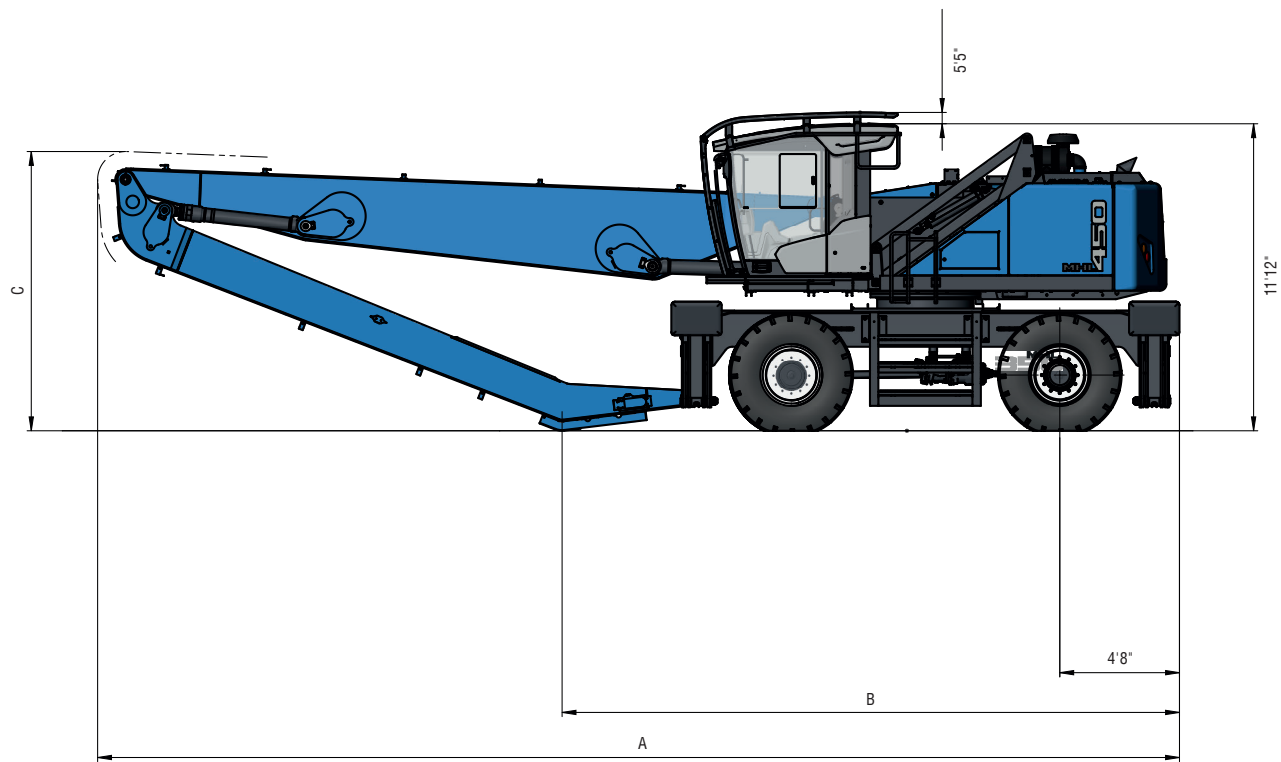
with catwalk






# TRANSPORT DIMENSIONS

## Side view

all dimensions in ft & in



|   |  45'11" |  49'2" |  52'6" |
|---|--|---|---|
| A | 38'4"  | 42'3"   | 42'3"   |
| B | 22'6"  | 26'7"   | 24'1"   |
| C | 10'9"  | 10'11"  | 10'11"  |

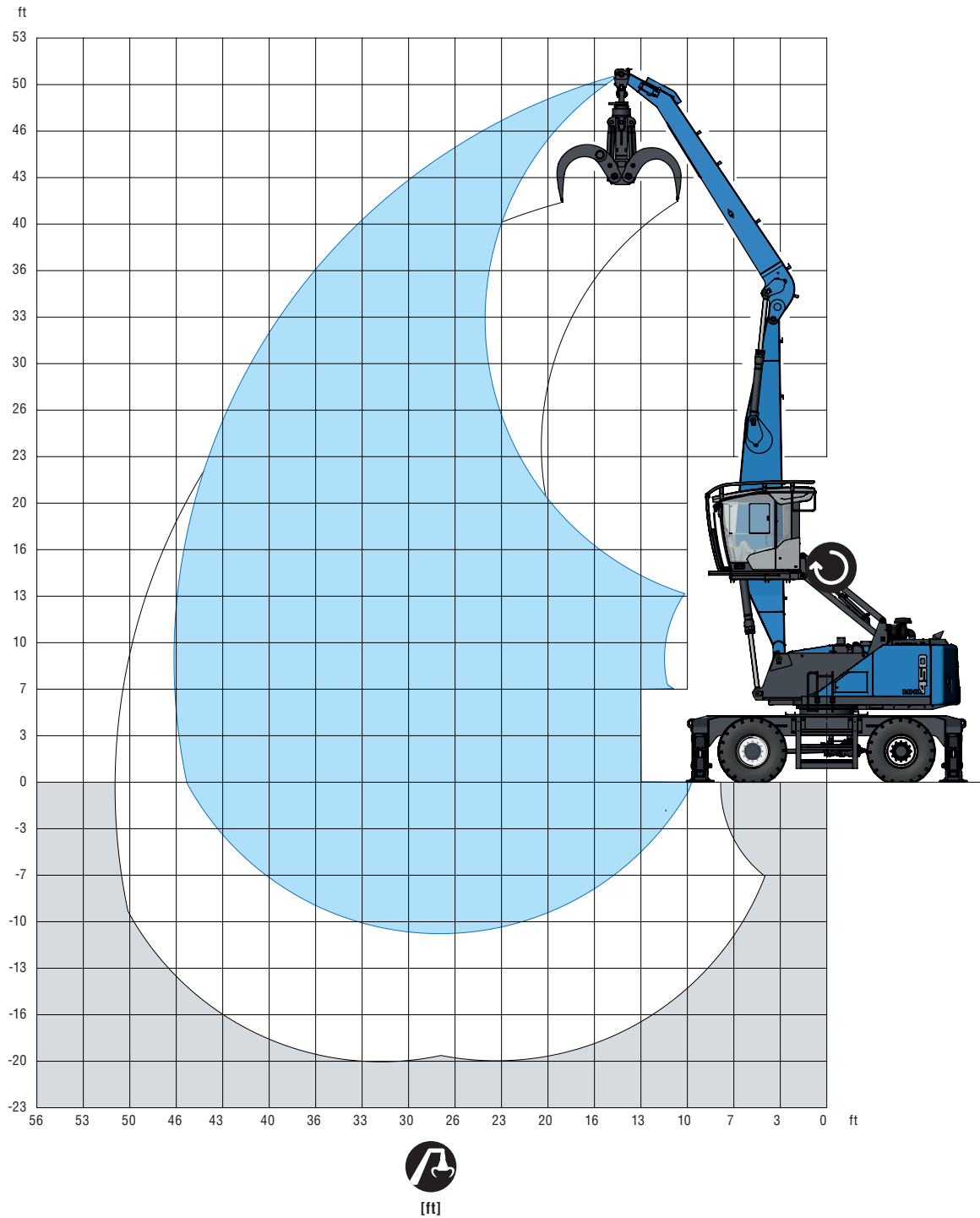




# REACH

## 45'11" with dipper stick

Boom: 23'11" - Dipper stick: 20'4"



## LIFTING CAPACITY

|     |    |  |  |         |         |         |         |         |                         |
|-----|---|---|---|---------|---------|---------|---------|---------|-------------------------|
|     |   |   | 15 ft   | 20 ft   | 25 ft   | 30 ft   | 35 ft   | 40 ft   | 45 ft                   |
| 45  |    |   |   |         | 10,000° |         |         |         |                         |
| 40  |    |   |   |         | 13,300° | 10,300° |         |         |                         |
| 35  |    |   |   |         | 15,000° | 13,000° | 9,600°  |         |                         |
| 30  |    |   |   |         | 16,400° | 15,000° | 12,300° | 7,600°  |                         |
| 25  |    |   |   |         | 17,500° | 15,600° | 14,000° | 10,500° |                         |
| 20  |    |   |   | 20,900° | 18,700° | 16,200° | 14,300° | 12,700° | 6,000°                  |
| 15  |   |   | 27,800°   | 24,900° | 20,200° | 17,000° | 14,700° | 12,900° | 8,000°                  |
| 10  |  |   | 39,900°   | 27,900° | 21,600° | 17,800° | 15,000° | 12,900° | 9,100°                  |
| 5   |  |   | 17,700°   | 29,700° | 22,600° | 18,200° | 15,100° | 12,700° | 9,400°                  |
| 0   |  |   | 12,700°   | 29,600° | 22,500° | 18,000° | 14,800° | 12,100° | 8,200°                  |
| -5  |  |   | 12,800°   | 25,100° | 21,200° | 17,000° | 13,700° | 10,800° |                         |
| -10 |  |   |   |         | 18,500° | 14,800° |         |         |                         |
|     |   |   |   |         |         |         |         |         | <b>max. reach 46 ft</b> |
| 9   |  |   |   |         |         |         |         |         | 5,300°                  |

### Recommended attachments upon request



Height



Reach



Center of rotation



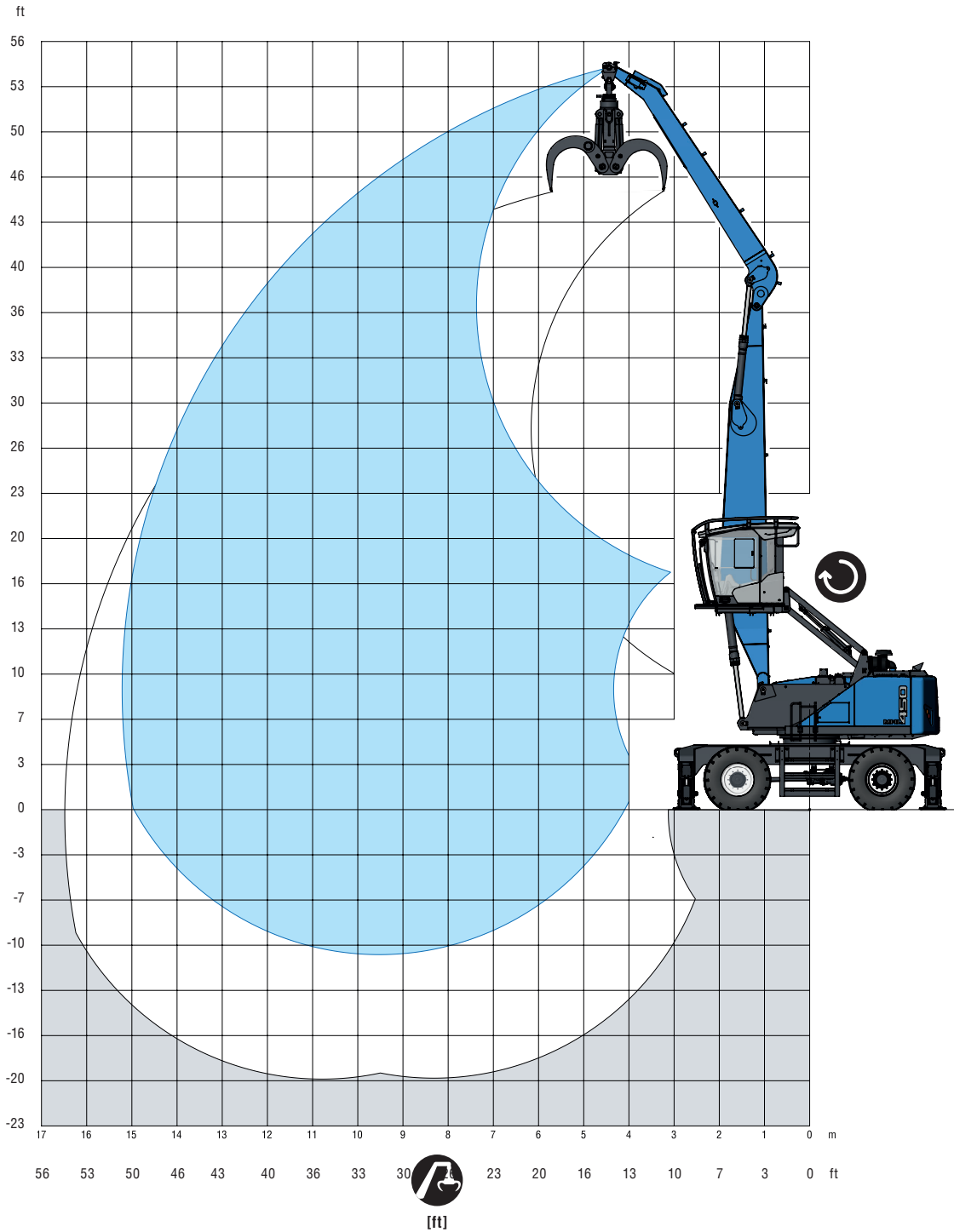
4-point supported

The lift capacity values are stated in imperial pounds (lbs). In accordance with ISO 10567, the lift capacity values represents 75 % of the static tipping loads or 87% of the hydraulic lifting force (marked °). On solid and level ground the values apply to a swing range of 360°. The (...) values apply in the longitudinal direction of the undercarriage. The weights of the attached load hoisting equipment (grab, load hook, etc.) must be deducted from the lift capacity values. The working load of the lifting device must be observed. In accordance with the EN 474-5 for object handling application hose rupture valves on the boom and stick cylinders, an overload warning device and the lift capacity table in the cab are required. The machine has to be supported on a level ground for object handling application.

# REACH




## 49'2" with dipper stick

Boom: 27'10" · Dipper stick: 20'4"





## LIFTING CAPACITY

|     |  |  |  |         |         |         |         |         |                           |        |
|-----|---|---|---|---------|---------|---------|---------|---------|---------------------------|--------|
|     |   |   | 15 ft   | 20 ft   | 25 ft   | 30 ft   | 35 ft   | 40 ft   | 45 ft                     | 50 ft  |
| 50  | ⚠   |   |   |         | 9,500°  |         |         |         |                           |        |
| 45  | ⚠   |   |   |         | 13,000° | 10,300° |         |         |                           |        |
| 40  | ⚠   |   |   |         | 14,700° | 13,000° | 10,100° |         |                           |        |
| 35  | ⚠   |   |   |         | 16,200° | 14,600° | 12,700° | 9,100°  |                           |        |
| 30  | ⚠   |   |   |         | 17,000° | 14,800° | 13,100° | 11,800° | 6,600°                    |        |
| 25  | ⚠   |   |   |         | 17,800° | 15,300° | 13,400° | 11,800° | 9,500°                    |        |
| 20  | ⚠   |   | 23,500°   | 18,900° | 15,900° | 13,700° | 12,000° | 10,500° |                           |        |
| 15  | ⚠   | 37,000°   | 26,000°   | 20,100° | 16,500° | 14,000° | 12,100° | 10,500° | 5,900°                    |        |
| 10  | ⚠   | 11,000°   | 27,800°   | 21,100° | 17,000° | 14,200° | 12,100° | 10,400° | 6,900°                    |        |
| 5   | ⚠   | 6,700°  | 20,300°   | 21,400° | 17,100° | 14,200° | 11,900° | 10,000° | 6,900°                    |        |
| 0   | ⚠   | 7,200°  | 15,000°   | 20,700° | 16,600° | 13,700° | 11,400° | 9,400°  |                           |        |
| -5  | ⚠   |   | 14,400°   | 18,900° | 15,500° | 12,700° | 10,400° | 8,200°  |                           |        |
| -10 | ⚠   |   |   |         | 13,400° | 11,000° |         |         |                           |        |
|     |   |   |   |         |         |         |         |         | <b>max. reach 49.9 ft</b> |        |
| 9   | ⚠   |   |   |         |         |         |         |         |                           | 5,400° |

### Recommended attachments upon request



Height



Reach



Center of rotation



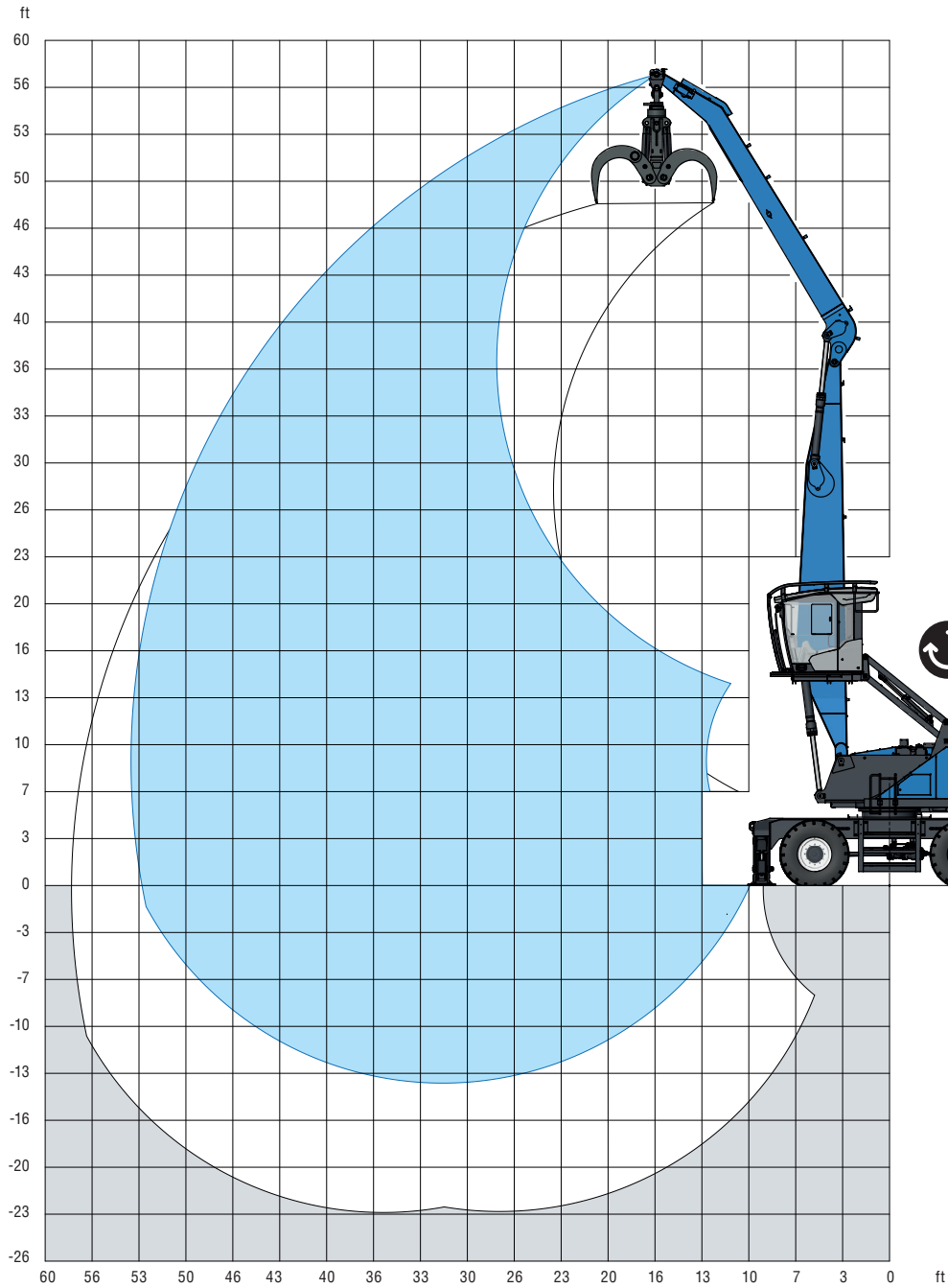
4-point supported

The lift capacity values are stated in imperial pounds (lbs). In accordance with ISO 10567, the lift capacity values represents 75 % of the static tipping loads or 87% of the hydraulic lifting force (marked °). On solid and level ground the values apply to a swing range of 360°. The (...) values apply in the longitudinal direction of the undercarriage. The weights of the attached load hoisting equipment (grab, load hook, etc.) must be deducted from the lift capacity values. The working load of the lifting device must be observed. In accordance with the EN 474-5 for object handling application hose rupture valves on the boom and stick cylinders, an overload warning device and the lift capacity table in the cab are required. The machine has to be supported on a level ground for object handling application.




# REACH

## 52'6" with dipper stick

Boom: 27'11" - Dipper stick: 23'7"



## LIFTING CAPACITY

|     |  |  |  |       |         |         |         |         |         |                         |         |        |
|-----|---|---|---|-------|---------|---------|---------|---------|---------|-------------------------|---------|--------|
|     |   |   | 15 ft   | 20 ft | 25 ft   | 30 ft   | 35 ft   | 40 ft   | 45 ft   | 50 ft                   |         |        |
| 50  | ☞   |   |   |       | 10,700° | 8,100°  |         |         |         |                         |         |        |
| 45  | ☞   |   |   |       | 10,700° | 8,300°  |         |         |         |                         |         |        |
| 40  | ☞   |   |   |       | 12,100° | 10,400° | 7,700°  |         |         |                         |         |        |
| 35  | ☞   |   |   |       | 13,300° | 12,000° | 9,900°  | 6,300°  |         |                         |         |        |
| 30  | ☞   |   |   |       | 13,800° | 12,400° | 11,200° | 8,600°  |         |                         |         |        |
| 25  | ☞   |   |   |       | 16,400° | 14,300° | 12,700° | 11,400° | 10,200° | 5,900°                  |         |        |
| 20  | ☞   |   |   |       | 17,600° | 15,000° | 13,100° | 11,600° | 10,300° | 7,600°                  |         |        |
| 15  | ☞   |   |   |       | 26,400° | 23,900° | 18,900° | 15,800° | 13,500° | 11,800°                 | 10,300° | 8,900° |
| 10  | ☞   |   |   |       | 38,300° | 26,400° | 20,200° | 16,400° | 13,800° | 11,900°                 | 10,300° | 8,900° |
| 5   | ☞   |   |   |       | 10,500° | 27,700° | 21,000° | 16,800° | 14,000° | 11,900°                 | 10,200° | 8,600° |
| 0   | ☞   |   |   |       | 8,300°  | 18,900° | 20,900° | 16,800° | 13,800° | 11,600°                 | 9,800°  | 8,000° |
| -5  | ☞   |   |   |       | 8,700°  | 15,500° | 19,900° | 16,000° | 13,200° | 11,000°                 | 9,000°  | 7,000° |
| -10 | ☞   |   |   |       |         | 15,000° | 17,900° | 14,600° | 12,000° | 9,800°                  |         |        |
|     |   |   |   |       |         |         |         |         |         | <b>max. reach 53 ft</b> |         |        |
| 9   | ☞   |   |   |       |         |         |         |         |         |                         |         | 4,300° |

### Recommended attachments upon request



Height



Reach



Center of rotation



4-point supported

The lift capacity values are stated in imperial pounds (lbs). In accordance with ISO 10567, the lift capacity values represents 75 % of the static tipping loads or 87% of the hydraulic lifting force (marked °). On solid and level ground the values apply to a swing range of 360°. The (...) values apply in the longitudinal direction of the undercarriage. The weights of the attached load hoisting equipment (grab, load hook, etc.) must be deducted from the lift capacity values. The working load of the lifting device must be observed. In accordance with the EN 474-5 for object handling application hose rupture valves on the boom and stick cylinders, an overload warning device and the lift capacity table in the cab are required. The machine has to be supported on a level ground for object handling application.



**[www.terex-fuchs.com](http://www.terex-fuchs.com)**

Mai 2023. Product specifications and prices are subject to change without notice or obligation. The photographs and/or drawings in this document are for illustrative purposes only. Refer to the appropriate Operator's Manual for instructions on the proper use of this equipment. Failure to follow the appropriate Operator's Manual when using our equipment or to otherwise act irresponsibly may result in serious injury or death. The only warranty applicable to our equipment is the standard written warranty applicable to the particular product and sale and Terex makes no other warranty, express or implied. © Terex Corporation 2023 - Terex, the Terex Crown design, Fuchs and Works For You are trademarks of Terex Corporation or its subsidiaries.



Fuchs USA | 11001 Electron Drive | Louisville, KY 40299 | USA | Phone: +1 502 640 6001 | [sales.fuchsus@terex.com](mailto:sales.fuchsus@terex.com)

