



US
Material Handler | F-Series

MHL 340



173 hp (129 kW) (Diesel)
110 kW (Electric)



max. 67,461 lbs



max. 45'



FUCHS[®]
A TEREX BRAND

TECHNICAL DATA

OPERATING WEIGHT WITHOUT ATTACHMENTS

MHL340 F	62,611–67,461 lbs
MHL340 F FQC	63,052–65,697 lbs

DIESEL ENGINE

	U.S. Tier 4 / EU Stage V	U.S. Tier 3 / EU Stage IIIA *
Manufacturer and model	Deutz 6.1 L6	Deutz TCD2012 L06 2V
Design	6-cylinder inline	6-cylinder inline
Functionality	4-cycle diesel, common rail direct injection, turbocharged with intercooler, controlled exhaust gas recirculation, diesel particulate filter with continuous regeneration and SCR catalytic converter	4-cycle diesel, common rail direct injection, turbocharged with intercooler
Engine power	173 hp (129 kW)	171 hp (128 kW)
Rated speed	2000 rpm	2000 rpm
Displacement	372 cui	372 cui
Cooling system	Water and charge air cooling with temperature controlled fan speed	Water and charge air cooling with temperature controlled fan speed
Exhaust emission standard	U.S. Tier 4 / EU Stage V	U.S. Tier 3 / EU Stage IIIA *
Fuel tank	89 gal Diesel	89 gal Diesel
DEF / Urea tank	8.5 gal	■

ELECTRIC MOTOR

Power	110 kW
Total connected load	143 kW
Motor start	Via soft start
Optional cable reel	Up to 164 ft (other lengths on request)

ELECTRICAL SYSTEM

Alternator	28 V / 100 A
Operating voltage	24 V
Battery	2 × 12 V / 110 Ah / 750 A (in accordance with EN standards)
Lighting set	2 × LED headlamps, turn indicators and tail lights
Optional equipment	13 kW or 17 kW DC generator with controls and insulation monitoring

TRAVEL DRIVE

Hydrostatic travel drive via infinitely variable axial piston motor with directly mounted travel brake valve, two-speed manual gearshift, 4-wheel drive

Travel speed 1st gear	3.1 mph
Travel speed 2nd gear	11.2 mph
Gradeability	max. 40%
Turning radius	27'9"

SLEWING DRIVE

Slewing ring	Internally geared, double-row ball turning ring
Drive	2-stage planetary gear with integrated multi-disc brake
Uppercarriage swing speed	0–7.5 rpm variable
Slewing lock	Electrically operated

UNDERCARRIAGE

Front axle	Rigid axle with integral drum brake, planetary drive, max. steering angle: 27°
Rear axle	Oscillating axle with integral drum brake and selectable oscillation lock, planetary drive
Outrigger	4-point stabilizer system
Tires	10.00–20 solid rubber with intermediate rings for MHL340F, 12.00–20 for MHL340F FQC

BRAKE SYSTEM

Service brake	Hydraulic single-circuit braking system acting on all four wheel pairs
Parking brake	Electrically operated disc brake on travel gearbox, acting on both front and rear axles

HYDRAULIC SYSTEM

Pump delivery rate	max. 2 × 87 gal/min
Operating pressure	max. 4641 / 5221 psi
Hydraulic oil tank	98,2 gal

OPERATOR CAB

Cab	Infinitely variable hydraulic height-adjustment with eye level up to 18'4" above ground. Sound-deadened, ample thermal panoramic glass windows, windshield with pulldown sunblind, viewing window on cab roof, sliding window in cab door, sliding door
Climate control	Automatic air-conditioning. Infinitely variable heating with 8-speed fan, 10 adjustable air nozzles, including 4 in the roof lining, 3 defroster nozzles
Operator's seat	Air-sprung comfort seat with integrated headrest, safety belt, and lower lumbar support, optional seat heating. Allows comfortable working by offering universal adjustment possibilities of the seat position, the seat incline, and the position of the seat cushion in relation to the armrests and joysticks
Monitoring	Ergonomic layout, anti-glare instrumentation. Multifunction display, automatic monitoring and recording of abnormal operating conditions (including all hydraulic oil filters, hydraulic oil temperature (cold/hot), coolant temperature and charge air temperature), diesel particulate filter load, visual and audible warning indication with shutdown of pilot controls/engine power reduction. Diagnosis of individual sensors possible via the multi-function display. Rear view camera and side view camera

	U.S. Tier 4 / EU Stage V	U.S. Tier 3 / EU Stage IIIA *
Noise level	Sound power level (ambience) L _{WA} 99.5 dB(A) (metered) acc. to directive 2000/14/EG L _{WA} 101 dB(A) (guaranteed) acc. to directive 2000/14/EG Sound pressure level (inside the cabin) acc. to standard ISO 6396 L _{PA} 70 dB(A)	Sound power level (ambience) L _{WA} 101.7 dB(A) (metered) acc. to directive 2000/14/EG L _{WA} 102 dB(A) (guaranteed) acc. to directive 2000/14/EG Sound pressure level (inside the cabin) acc. to standard ISO 6396 L _{PA} 70 dB(A)
Vibrations	Weighted r.m.s. value of acceleration of upper limbs under 2.5 m/s ² (98 in/s ²) Weighted effective value of acceleration for the seat and feet under 0.5 m/s ² (20 in/s ²)	

Certified in accordance with CE regulations

* for low-regulated markets

EQUIPMENT

DIESEL ENGINE

	Standard	Option
Intercooler and coolant radiator	●	
Direct electronic fuel injection / common rail	●	
Advanced automatic idle incl. engine shut-off function	●	
Engine preheating		●
Engine diagnostics interface	●	
Temperature-dependent fan drive	●	

UNDERCARRIAGE

All-wheel drive	●	
Drum brakes	●	
Rear axle oscillating lock	●	
2-speed powershift transmission		●
4-point stabilizers	●	
Dozer blade in addition to 4-point stabilizers		●
Stabilizer cylinders with integrated two-way check valves	●	
Piston rod protection on stabilizer cylinders	●	
Tool box	●	
Special paint (customer paint work)		●
Solid rubber tires (10.00-20) with intermediate rings	●	
Solid rubber tires (12.00-20) with intermediate rings (FOC)	●	

UPPERCARRIAGE

Separate cooling system for engine and hydraulic oil cooler	●	
Cooling system with temperature-dependent fan drive	●	
Fan drive reversing function		●
Automatic central lubrication system	●	
Rear view camera	●	
Side view camera	●	
Travel alarm		●
Electric refuelling pump		●
Lighting protection		●
Special paint (customer paint work)		●

CAB

	Standard	Option
Hydraulically adjustable cab	●	
Safety glass	●	
Sliding window in cab door	●	
Reinforced glass P5A (windscreen and roof panel)		●
Reinforced glass P5A (windscreen and roof panel) (FOC)	●	
Windshield washer system	●	
Roof washer system		●

CAB

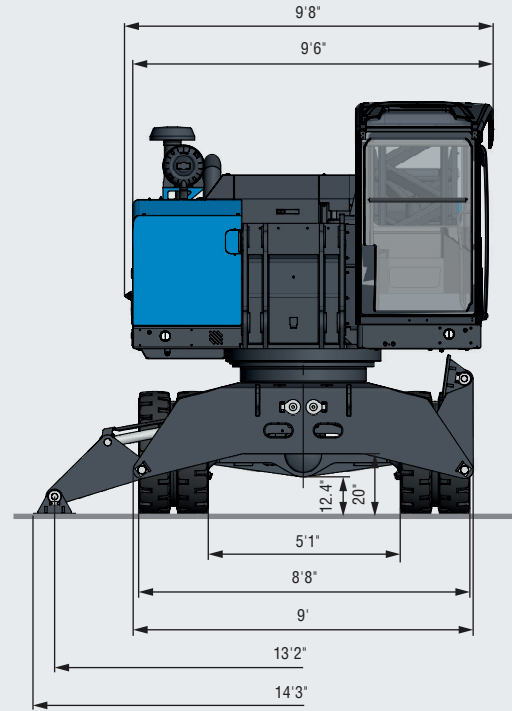
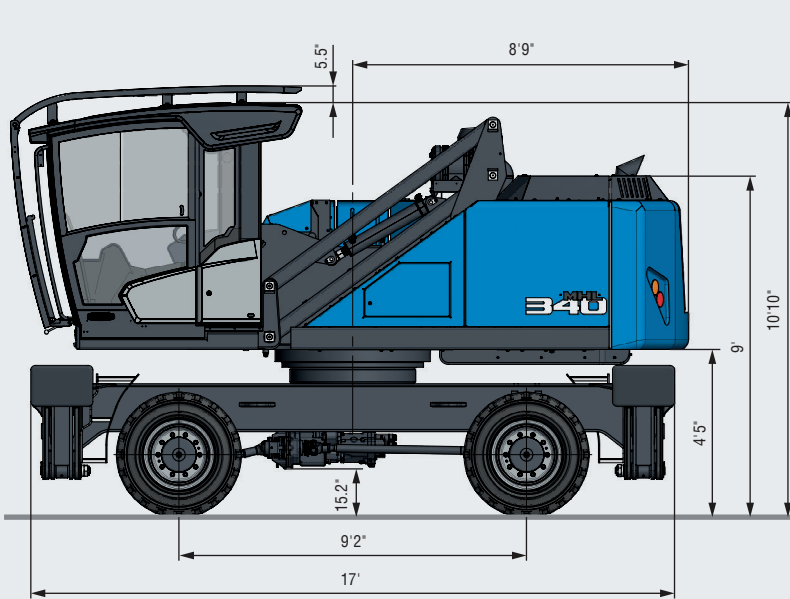
	Standard	Option
Air-cushioned operator seat with headrest, seatbelt, and lumbar support	●	
Seat heating		●
Joystick steering	●	
Steering column, height and tilt adjustable		●
Automatic air conditioning system	●	
Independent heating system		●
Multi-function display	●	
Document net	●	
FOPS Guard		●
Front and FOPS Guard		●
12V transformer		●
Radio USB & Bluetooth (EU & USA)	●	
12V socket		●
Fire extinguisher, dry powder		●
Travel alarm w/ rotating beacon		●

OTHER EQUIPMENT

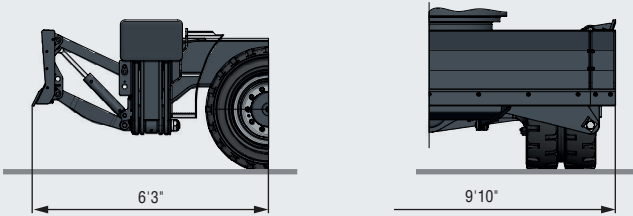
13 kW DC generator with controls		●
17 kW DC generator with controls		●
Close proximity range limiter for dipper stick	●	
Coolant and hydraulic oil level monitoring system	●	
Filter system for attachments		●
Filter system for attachments (FOC)	●	
Hose rupture valves for boom cylinder		●
Hose rupture valves for stick cylinder		●
Overload warning device		●
Quick coupling on dipper stick	●	
Dipper stick impact protection		●
Active cyclone prefilter (TOP AIR)		●
Hydraulic oil preheating		●
Lubrication of the grab suspension by central lubrication system	●	
Light packages LED		●
LED front headlights	●	
LED working lights cabin roof front	●	
Boom cylinder damping system (piston accumulator)		●
Fuchs Telematics System, incl. 5 years contract	●	

DIMENSIONS

All dimensions in ft & in



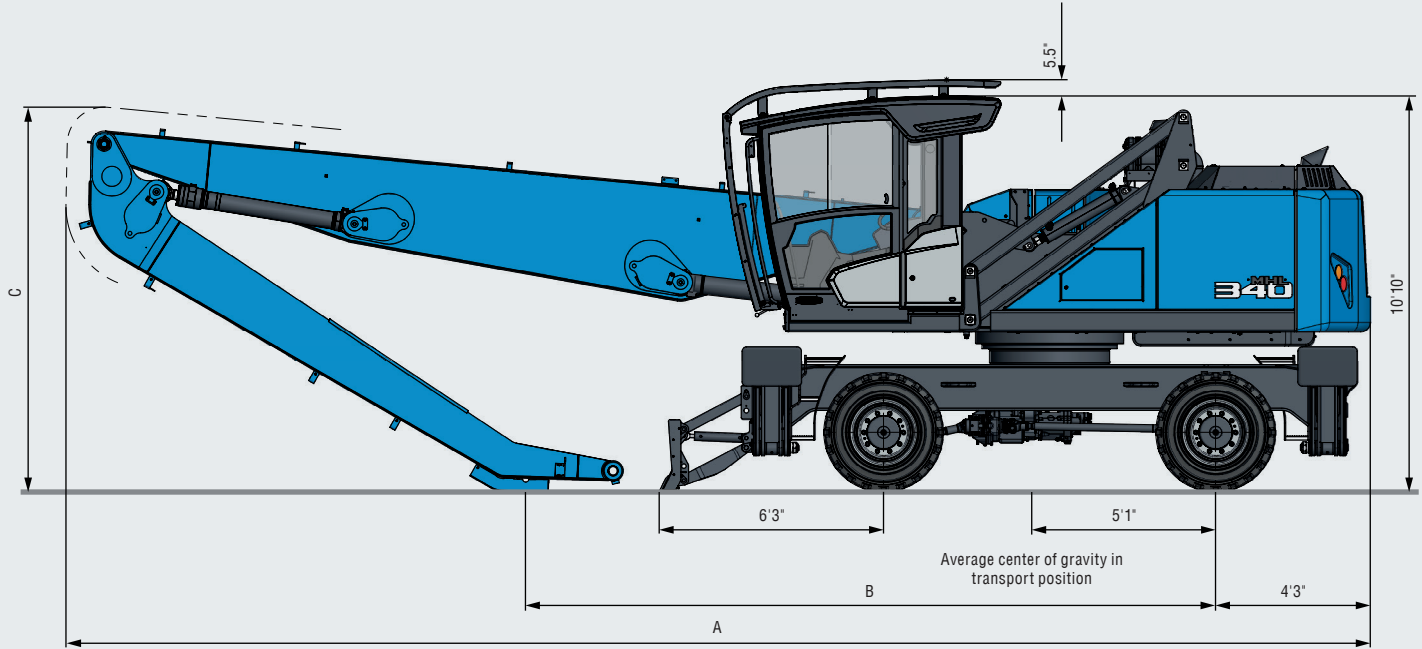
DOZER BLADE IN ADDITION TO 4-POINT STABILIZERS



TRANSPORT DIMENSIONS

Loading system 41'4": undercarriage equipped with dozer blade, rotated by 180°

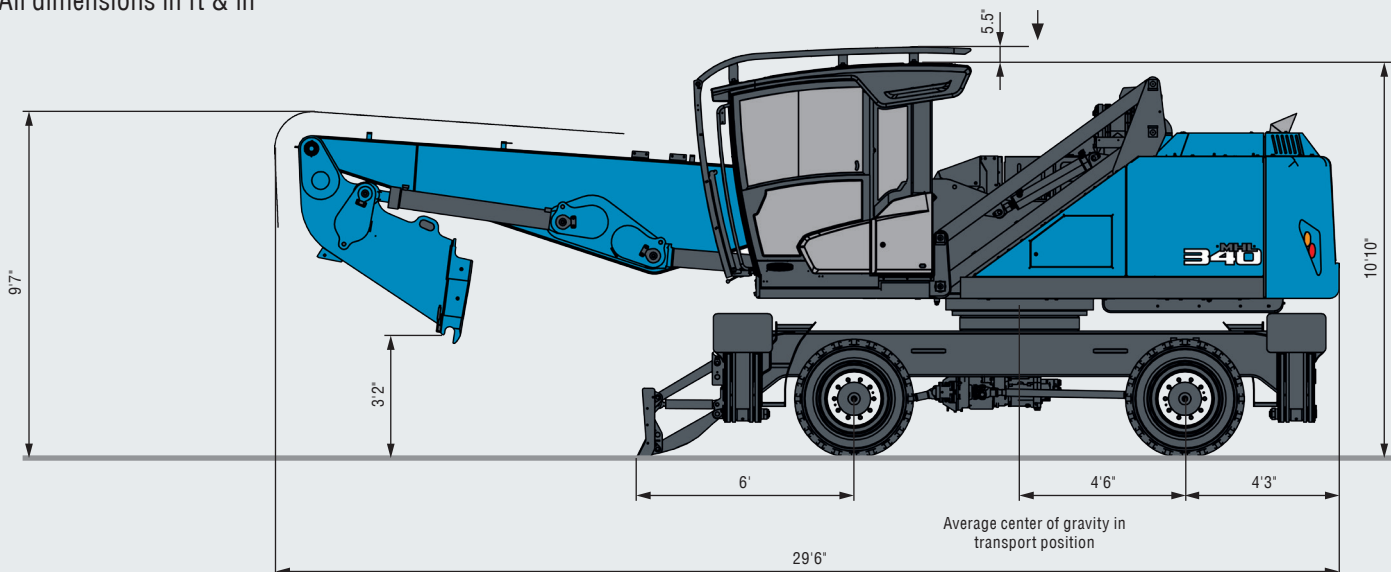
All dimensions in ft & in



Dimensions	Reach 40' (multi-purpose stick)	Reach 41'4"	Reach 45'
A	36'8"	36'1"	36'1"
B	19'7"	19'1"	15'8"
C	10'2"	10'7"	10'1"

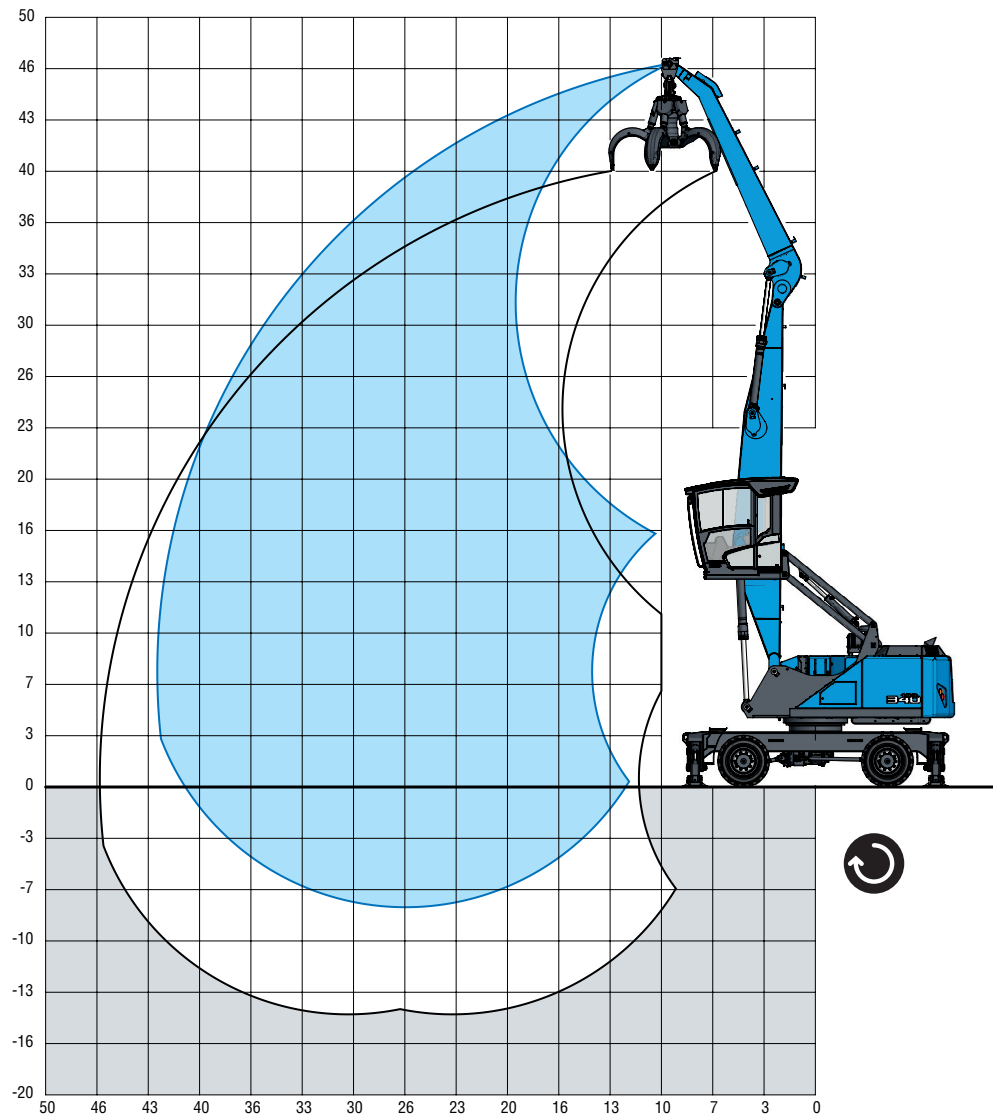
TRANSPORT DIMENSIONS MHL340 FQC

All dimensions in ft & in





42' WITH DIPPER STICK



[ft]











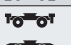


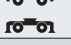








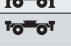

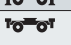

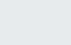
LOADING EQUIPMENT

Boom	23'6"
Dipper stick	16'7"
Cactus grab (open)	0.78 yd ³

RECOMMENDED ATTACHMENTS

Recommended attachments upon request

LIFTING CAPACITY

								
			15 ft	20 ft	25 ft	30 ft		35 ft
45 ft	 		(14,000°) 14,000° (14,000°)					
40 ft	 			(14,600°) 14,600° (14,600°)	(10,400°) 10,400° (10,400°)			
35 ft	 			(16,500°) 16,500° (16,500°)	(12,500°) 14,500° (14,500°)	(9,100°) 10,400° (10,400°)		
30 ft	 			(17,700°) 17,700° (17,700°)	(12,600°) 16,600° (16,600°)	(9,300°) 14,000° (14,000°)	(7,000°) 9,600° (9,600°)	
25 ft	 			(17,700°) 19,300° (19,300°)	(12,400°) 16,900° (16,900°)	(9,200°) 13,900° (14,700°)	(7,000°) 10,800° (12,500°)	
20 ft	 		(20,600°) 20,600° (20,600°)	(17,000°) 21,300° (21,300°)	(11,900°) 17,600° (17,600°)	(8,900°) 13,600° (15,000°)	(6,900°) 10,700° (12,900°)	(5,500°) 8,200° (9,200°)
15 ft	 		(24,900°) 31,200° (31,200°)	(15,900°) 23,000° (23,000°)	(11,300°) 17,600° (18,400°)	(8,600°) 13,300° (15,300°)	(6,700°) 10,500° (13,000°)	(5,400°) 8,500° (10,500°)
10 ft	 		(22,100°) 34,800° (34,800°)	(14,600°) 23,700° (24,500°)	(10,700°) 16,900° (19,000°)	(8,200°) 12,800° (15,500°)	(6,500°) 10,200° (12,700°)	(5,300°) 8,400° (10,400°)
5 ft	 		(12,000°) 12,000° (12,000°)	(13,600°) 22,500° (24,900°)	(10,100°) 16,200° (19,100)	(7,800°) 12,500° (15,300°)	(6,300°) 10,000° (12,500)	(5,200°) 8,300° (10,000°)
0 ft	 		(10,600°) 10,600° (10,600°)	(13,000°) 21,800° (23,400°)	(9,600°) 15,700° (18,200°)	(7,600°) 12,200° (14,500°)	(6,200°) 9,800° (11,600°)	(5,100°) 8,200° (8,700°)
-5 ft	 			(12,700°) 20,000° (20,000°)	(9,400°) 15,500° (16,100°)	(7,400°) 12,000° (12,800°)	(6,100°) 9,800° (9,900°)	
								max. reach 42'
6,2 ft	 							(4,800) 7,100° (7,100°)



Important notes regarding the load capacities

The lift capacity values are stated in imperial pounds (lbs). The pump pressure is 5,221 psi. In accordance with ISO 10567 the lift capacity values represents 75% of the static tipping loads or 87% of the hydraulic lifting force (marked *). On solid and level ground the values apply to a swing range of 360°. The (...) values apply in the longitudinal direction of the undercarriage. The values for "not supported" only apply via the steering axle or the locked oscillating axle. The weights of the attached load hoisting equipment (grab, load hook, etc.) must be deducted from the lift capacity values. The working load of the lifting devise must be observed. In accordance with the EN 474-5 for object handling application hose rupture valves on the boom and stick cylinders, an overload warning device and the lift capacity table in the cab are required. For object handling application the machine has to be supported on a level ground.



Reach



Engine power



Service weight without attachments



Center of rotation



Height



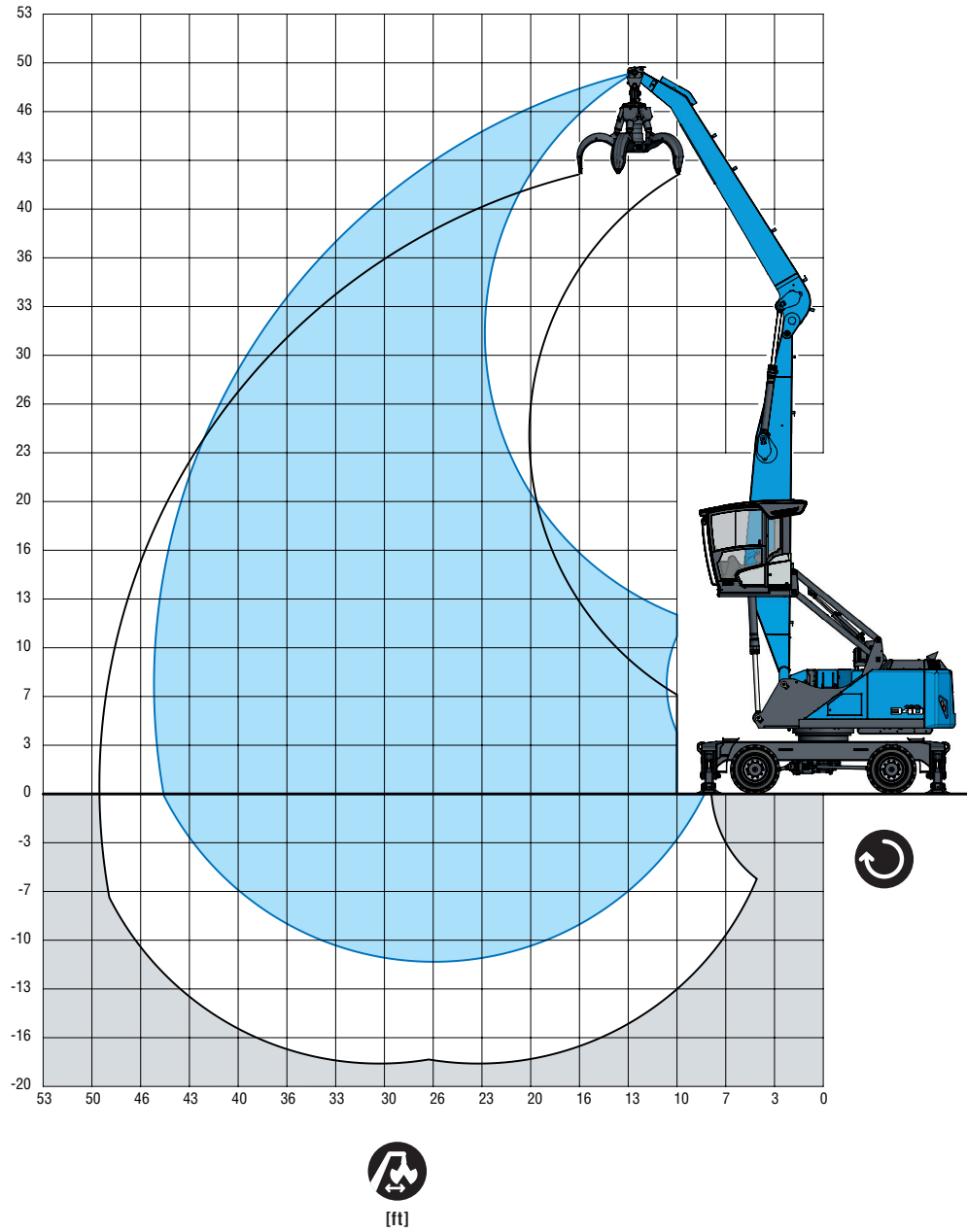
Undercarriage



4-point supported



45' WITH DIPPER STICK



LOADING EQUIPMENT

Boom	23'6"
Dipper stick	20'3"
Cactus grab (open)	0.78 yd ³

RECOMMENDED ATTACHMENTS

Recommended attachments upon request

LIFTING CAPACITY

Reach	Undercarriage	Center of rotation						
		15 ft	20 ft	25 ft	30 ft	35 ft	40 ft	45 ft
45 ft			(9,900°) 9,900° (9,900°)					
40 ft				(10,200°) 10,200° (10,200°)	(6,700°) 6,700° (6,700°)			
35 ft				(12,000°) 12,000° (12,000°)	(9,500°) 9,900° (9,900°)	(6,100°) 6,100° (6,100°)		
30 ft				(13,000°) 13,300° (13,300°)	(9,600°) 11,800° (11,800°)	(7,200°) 10,300° (10,300°)		
25 ft				(12,800°) 14,700° (14,700°)	(9,400°) 13,500° (13,500°)	(7,200°) 11,000° (11,200°)	(5,600°) 8,100° (8,100°)	
20 ft			(16,700°) 16,700° (16,700°)	(12,400°) 16,100° (16,100°)	(9,100°) 13,900° (14,000°)	(7,000°) 10,800° (12,300°)	(5,500°) 8,600° (10,400°)	
15 ft		(19,500°) 19,500° (19,500°)	(16,700°) 20,900° (20,900°)	(11,700°) 17,100° (17,100°)	(8,700°) 13,500° (14,400°)	(6,800°) 10,500° (12,400°)	(5,400°) 8,500° (10,500°)	(4,300°) 5,200° (5,200°)
10 ft		(23,800°) 31,700° (31,700°)	(15,300°) 22,900° (22,900°)	(10,900°) 17,200° (18,000°)	(8,200°) 12,900° (14,900°)	(6,500°) 10,200° (12,500°)	(5,200°) 8,300° (10,300°)	(4,200°) 6,500° (6,500°)
5 ft		(20,900°) 32,100° (32,100°)	(13,900°) 22,900° (24,200°)	(10,100°) 16,300° (18,600°)	(7,800°) 12,400° (15,000°)	(6,200°) 9,900° (12,400)	(5,000°) 8,100° (10,100)	(4,200°) 6,700° (6,700°)
0 ft		(15,000°) 15,000° (15,000°)	(12,800°) 21,700° (24,000°)	(9,500°) 15,600° (18,400°)	(7,400°) 12,000° (14,700°)	(5,900°) 9,600° (12,000°)	(4,900°) 8,000° (9,600°)	(4,100°) 5,600° (5,600°)
-5 ft		(13,300°) 13,300° (13,300°)	(12,300°) 21,000° (22,000°)	(9,100°) 15,100° (17,100°)	(7,100°) 11,700° (13,600°)	(5,800°) 9,500° (10,900°)	(4,800°) 7,900° (8,300°)	
-10 ft			(12,100°) 18,300° (18,300°)	(8,900°) 14,600° (14,600°)	(7,000°) 11,600° (11,600°)			
8 ft								max. reach 45' (4,100) 5,100° (5,100°)



Important notes regarding the load capacities

The lift capacity values are stated in imperial pounds (lbs). The pump pressure is 5,221 psi. In accordance with ISO 10567 the lift capacity values represents 75% of the static tipping loads or 87% of the hydraulic lifting force (marked °). On solid and level ground the values apply to a swing range of 360°. The (...) values apply in the longitudinal direction of the undercarriage. The values for "not supported" only apply via the steering axle or the locked oscillating axle. The weights of the attached load hoisting equipment (grab, load hook, etc.) must be deducted from the lift capacity values. The working load of the lifting device must be observed. In accordance with the EN 474-5 for object handling application hose rupture valves on the boom and stick cylinders, an overload warning device and the lift capacity table in the cab are required. For object handling application the machine has to be supported on a level ground.



Reach



Engine power



Service weight without attachments



Center of rotation



Height



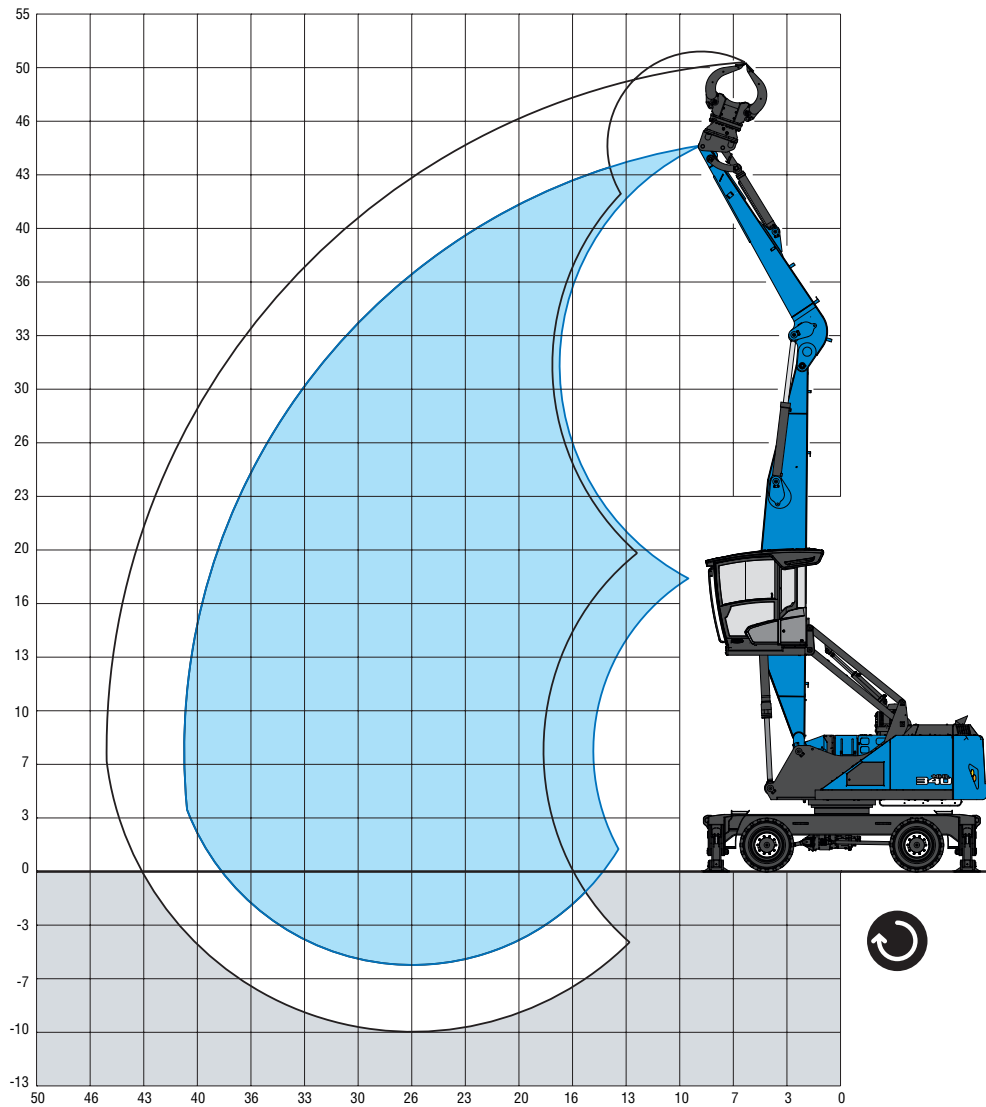
Undercarriage



4-point supported



40' MULTI-PURPOSE STICK




[ft]






















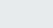


LOADING EQUIPMENT

Boom	23'6"
Multi-purpose stick	14'8"
Sorting grab	

RECOMMENDED ATTACHMENTS

Recommended attachments upon request

LIFTING CAPACITY

							
		15 ft	20 ft	25 ft	30 ft	35 ft	40 ft
40 ft		(17,600°)	(13,700°)				
		17,600° (17,600°)	13,700° (13,700°)				
35 ft			(17,100)	(11,600)			
			17,300° (17,300°)	14,100° (14,100°)			
30 ft			(17,100)	(11,700)	(8,500)		
			19,300° (19,300°)	16,600° (16,600°)	13,200 (13,400°)		
25 ft			(16,700)	(11,500)	(8,400)	(6,300)	
			20,300° (20,300°)	16,800° (16,800°)	13,100 (14,300°)	10,000 (10,700°)	
20 ft		(25,600)	(15,900)	(11,000)	(8,200)	(6,200)	
		26,000° (26,000°)	21,500° (21,500°)	17,300° (17,300°)	12,900 (14,500°)	10,000 (12,300°)	
15 ft		(23,200)	(14,800)	(10,500)	(7,800)	(6,000)	(4,700)
		32,100° (32,100°)	23,000° (23,000°)	16,700 (18,000°)	12,500 (14,700°)	9,800 (12,200°)	6,800° (6,800°)
10 ft			(13,600)	(8,900)	(7,500)	(5,800)	(4,700)
			22,600 (24,000°)	16,000 (18,400°)	12,100 (14,700°)	9,600 (12,000°)	7,800 (9,300°)
5 ft			(12,600)	(9,300)	(7,100)	(5,700)	(4,600)
			21,500 (23,600°)	15,300 (18,000°)	11,700 (14,300°)	9,400 (11,400°)	7,700 (8,300°)
0 ft		(9,100°)	(12,100)	(8,900)	(6,900)	(5,500)	
		9,100° (9,100°)	20,900 (21,200°)	14,900 (16,600°)	11,500 (13,100°)	9,200 (10,100°)	
-5 ft				(8,700)	(6,800)		
				14,000° (14,000°)	11,000° (11,000°)		
							max. reach 40'1"
8 ft							(4,500)
							7,500° (7,500°)



Important notes regarding the load capacities

The lift capacity values are stated in imperial pounds (lbs). The pump pressure is 5,221 psi. In accordance with ISO 10567 the lift capacity values represents 75% of the static tipping loads or 87% of the hydraulic lifting force (marked °). On solid and level ground the values apply to a swing range of 360°. The (...) values apply in the longitudinal direction of the undercarriage. The values for "not supported" only apply via the steering axle or the locked oscillating axle. The weights of the attached load hoisting equipment (grab, load hook, etc.) must be deducted from the lift capacity values. The working load of the lifting device must be observed. In accordance with the EN 474-5 for object handling application hose rupture valves on the boom and stick cylinders, an overload warning device and the lift capacity table in the cab are required. For object handling application the machine has to be supported on a level ground.



Reach



Engine power



Service weight without attachments



Center of rotation



Height



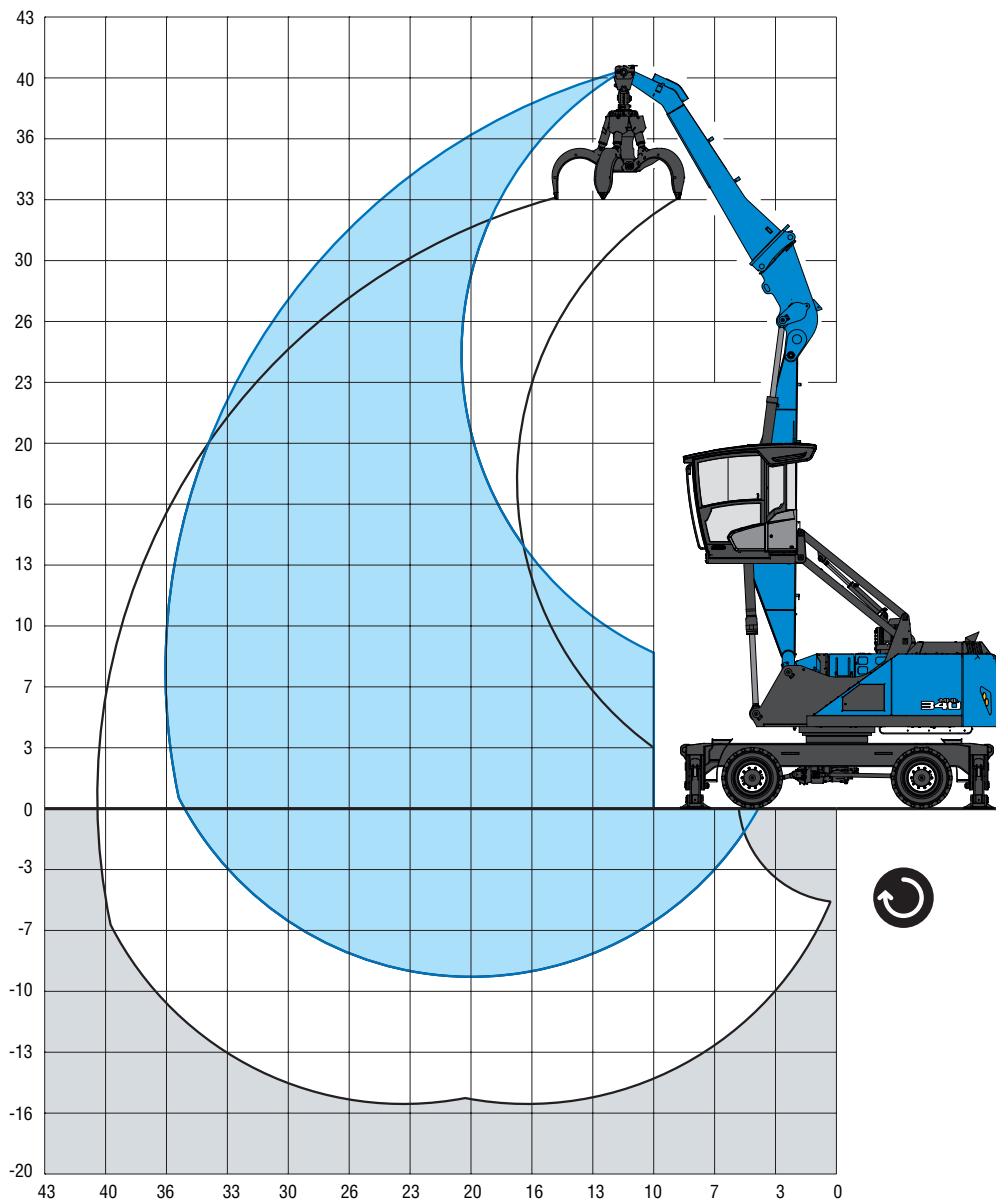
Undercarriage



4-point supported



36'1" WITH DIPPER STICK



LOADING EQUIPMENT

Boom	17'1"
Dipper stick	17'7"
Cactus grab (open with Fuchs QuickConnect (FQC))	0.78 yd ³

RECOMMENDED ATTACHMENTS

Recommended attachments upon request

LIFTING CAPACITY

Reach	Attachment	Center of rotation					
		10 ft	15 ft	20 ft	25 ft	30 ft	35 ft
35 ft				(11,000°)			
				11,000° (11,000°)			
30 ft				(14,600°)	(10,800°)		
				14,600° (14,600°)	10,800° (10,800°)		
25 ft					(11,500)	(8,200)	
					13,900° (13,900°)	8,800° (8,800°)	
20 ft				(17,000)	(11,500)	(8,200)	
				17,600° (17,600°)	16,100° (16,100°)	12,100° (12,100°)	
15 ft				(16,100)	(11,000)	(7,900)	(5,700)
				19,800° (19,800°)	17,000° (17,000°)	12,600 (14,800°)	7,300° (7,300°)
10 ft			(24,500)	(15,000)	(10,400)	(7,500)	(5,700)
			26,000° (26,000°)	22,000° (22,000°)	16,500 (17,900°)	12,100 (15,000°)	9,300° (9,300°)
5 ft		(43,200)	(21,400)	(13,700)	(9,500)	(7,100)	(5,500)
		56,200° (56,200°)	33,300° (33,300°)	22,700 (24,000°)	15,700 (18,700°)	11,700 (14,800°)	9,000 (11,500°)
0 ft		(17,000°)	(19,200)	(12,600)	(9,000)	(6,800)	(5,500)
		17,000° (17,000°)	34,800° (34,800°)	21,200 (24,300°)	15,000 (18,300°)	11,200 (14,100°)	8,600 (8,600°)
-5 ft		(15,400°)	(18,100)	(11,900)	(8,600)	(6,600)	
		15,400° (15,400°)	31,500° (31,500°)	20,500 (22,300°)	14,600 (16,500°)	11,200 (11,900°)	
							max. reach 36'1"
7,5 ft							(5,100°)
							5,100° (5,100°)



Important notes regarding the load capacities

The lift capacity values are stated in imperial pounds (lbs). The pump pressure is 5,221 psi. In accordance with ISO 10567 the lift capacity values represents 75% of the static tipping loads or 87% of the hydraulic lifting force (marked °). On solid and level ground the values apply to a swing range of 360°. The (...) values apply in the longitudinal direction of the undercarriage. The values for "not supported" only apply via the steering axle or the locked oscillating axle. The weights of the attached load hoisting equipment (grab, load hook, etc.) must be deducted from the lift capacity values. The working load of the lifting devise must be observed. In accordance with the EN 474-5 for object handling application hose rupture valves on the boom and stick cylinders, an overload warning device and the lift capacity table in the cab are required. For object handling application the machine has to be supported on a level ground.



Reach



Engine power



Service weight without attachments



Center of rotation



Height



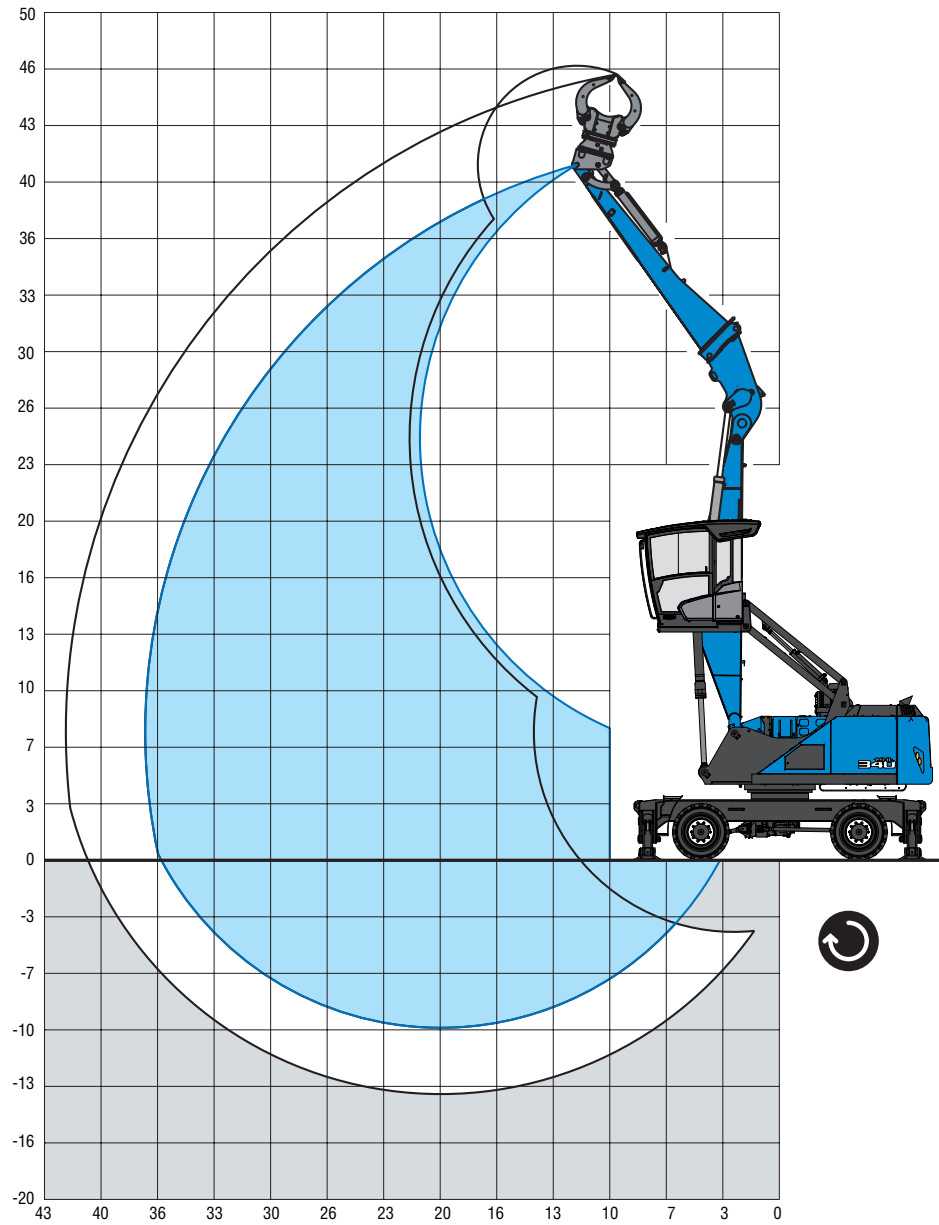
Undercarriage



4-point supported



36'8" WITH MULTI-PURPOSE STICK



LOADING EQUIPMENT

Boom	17'1"
Multi-purpose stick	18'4"
Sorting grab (with Fuchs QuickConnect (FQC))	

RECOMMENDED ATTACHMENTS

Recommended attachments upon request

LIFTING CAPACITY

Reach	Attachment	Center of rotation					
		10 ft	15 ft	20 ft	25 ft	30 ft	35 ft
35 ft				(11,000°)			
				11,000° (11,000°)			
30 ft					(10,600)		
					10,600° (10,600°)		
25 ft					(11,200)	(7,700)	
					13,000° (13,000°)	8,800° (8,800°)	
20 ft					(11,000)	(7,700)	(4,400)
					15,000° (15,000°)	11,700° (11,700°)	4,400° (4,400°)
15 ft				(15,900)	(10,600)	(7,500)	(5,500)
				18,500° (18,500°)	16,100° (16,100°)	12,100 (13,900°)	7,500° (7,500°)
10 ft			(22,500°)	(14,800)	(9,900)	(7,100)	(5,300)
			22,500° (22,500°)	20,700° (20,700°)	16,100 (17,000°)	11,700 (14,100°)	8,800° (9,300°)
5 ft		(44,100)	(21,400)	(13,200)	(9,300)	(6,600)	(5,100)
		53,600° (53,600°)	31,700° (31,700°)	22,300° (22,700°)	15,400 (17,600°)	11,200 (14,100°)	8,600° (10,100°)
0 ft		(17,900°)	(18,700)	(12,100)	(8,600)	(6,400)	(4,900)
		17,900° (17,900°)	34,000° (34,000°)	20,900 (23,400°)	14,600 (17,600°)	10,800 (13,400°)	8,600° (9,300°)
-5 ft		(15,000°)	(17,400)	(11,200)	(8,200)	(6,000)	
		15,000° (15,000°)	31,300° (31,300°)	20,100 (21,800°)	14,100 (16,100°)	10,600 (11,700°)	
							max. reach 36'9"
7,5 ft							(4,200°)
							4,200° (4,200°)



Important notes regarding the load capacities

The lift capacity values are stated in imperial pounds (lbs). The pump pressure is 5,221 psi. In accordance with ISO 10567 the lift capacity values represents 75% of the static tipping loads or 87% of the hydraulic lifting force (marked °). On solid and level ground the values apply to a swing range of 360°. The (...) values apply in the longitudinal direction of the undercarriage. The values for "not supported" only apply via the steering axle or the locked oscillating axle. The weights of the attached load hoisting equipment (grab, load hook, etc.) must be deducted from the lift capacity values. The working load of the lifting devise must be observed. In accordance with the EN 474-5 for object handling application hose rupture valves on the boom and stick cylinders, an overload warning device and the lift capacity table in the cab are required. For object handling application the machine has to be supported on a level ground.



Reach



Engine power



Service weight without attachments



Center of rotation



Height



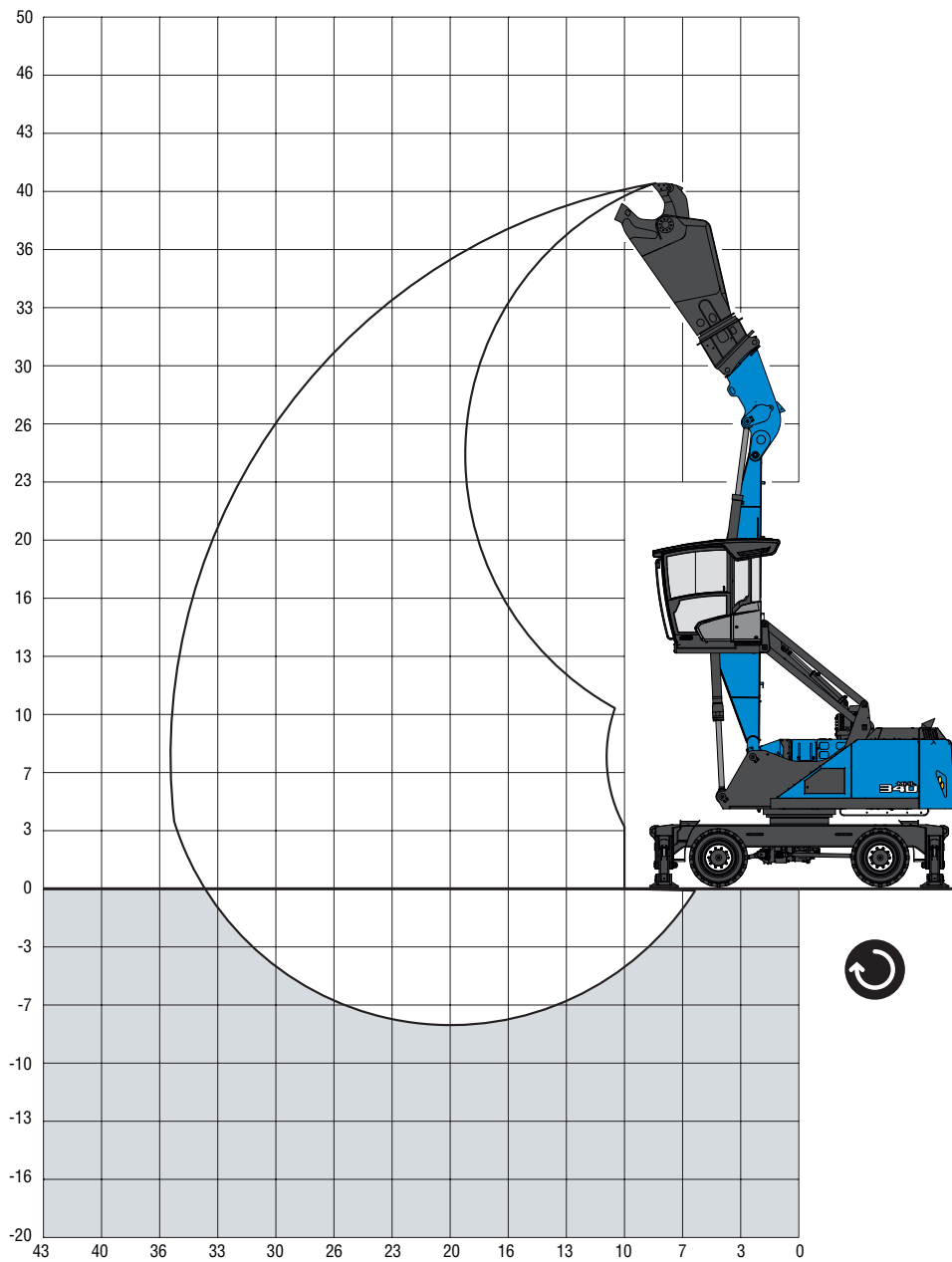
Undercarriage



4-point supported



36'9" WITH SCRAP SHEARS



[ft]

QuickConnect Systems

LOADING EQUIPMENT

Boom

17'

Scrap shears GXP 300 with Fuchs QuickConnect (FQC)

The unique QuickConnect system

Time is money – and with the QuickConnect systems, you can reduce attachment-change downtime to a fraction of the usual cost. For example, in less than a minute you can switch from a multi-purpose stick / grab combination to a dipper stick with a magnet or scrap shears. Using leak-free quick couplers, attachments can be changed quickly and safely from inside the cab. For the operator, climbing in and out and removing and replacing bolts are now just things of the past.

BQC



FQC



MQC





WORKS FOR YOU.™

www.terex-fuchs.com

March 2023. Product specifications and prices are subject to change without notice or obligation. The photographs and/or drawings in this document are for illustrative purposes only. Refer to the appropriate Operator's Manual for instructions on the proper use of this equipment. Failure to follow the appropriate Operator's Manual when using our equipment or to otherwise act irresponsibly may result in serious injury or death. The only warranty applicable to our equipment is the standard written warranty applicable to the particular product and sale and Terex makes no other warranty, express or implied. © Terex Corporation 2023 - Terex, the Terex Crown design, Fuchs and Works For You are trademarks of Terex Corporation or its subsidiaries.

Terex® Deutschland GmbH | Industriestraße 3 | 76669 Bad Schönborn | Germany | Fon: +49 (0) 7253 84-0 | Fax: +49 (0) 7253 84-102 | info@terex-fuchs.com

